



Machiavelli Red Owner's Manual

GOLD NOTE

The Renaissance of Technology.

Thank you for your purchase of the MACHIAVELLI RED stereo cartridge.

Read these Operating Instructions carefully before using your MACHIAVELLI RED and keep it for future reference.

Before Using

1. The Stylus is very delicate. Applying excessive force to the stylus, such as pressing with a finger can break it. Handle the cartridge with the utmost care.
2. A powerful magnet is used in the cartridge. Note that carelessly bringing a steel screwdriver or other such item near the cartridge will result in it being attracted by the magnet and may result in damage to the stylus, so care must be taken.

Package Content

- Cartridge body
- Stainless Steel no-magnetic two sets of head-shell fixing 2,5mm screws
- 2mm Allen Wrench
- Owner's Manual

Method of Use

1. Mounting the cartridge on the tone arm Head-Shell using the supplied Allen Wrench and one set of the 2,5mm screws. Adjust it to the stylus position specified for the turntable system you are using mounting it properly without tilting or turning it. (See Figure 1.)

- The output terminals are colours coded for identification as illustrated in Figure 2. Match the colors of the tone arm head-shell leads to the terminals and connect each other properly.

NOTE:

When connecting the cartridge, be sure to use the tipped leads and press them onto the terminals. Applying heat to the output terminals of the cartridge, such as in direct soldering, will cause internal damage to the cartridge, such as wire breakage.

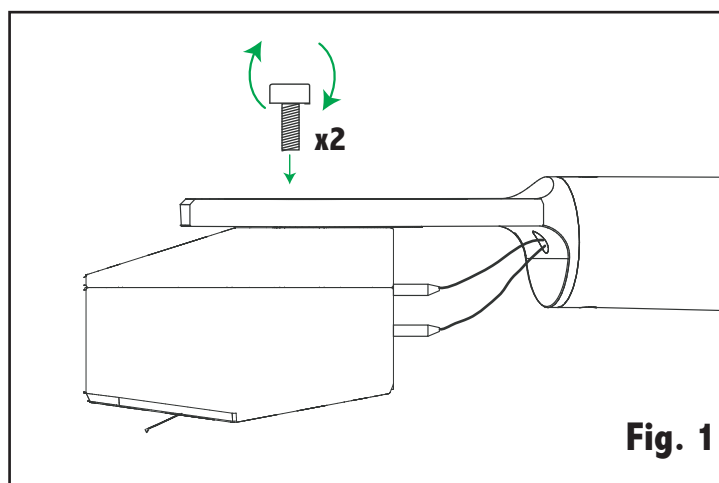


Fig. 1

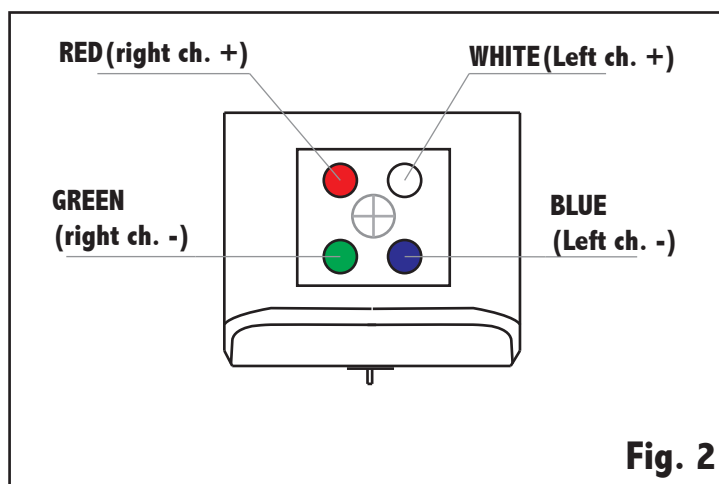


Fig. 2

The **Machiavelli Red** is the new **Gold Note** high-output MC phono cartridge features easy internal impedance and high gain to enables great sound performance matched with any MM phono preamp or MC phono properly set-up. The Machiavelli Red aluminum alloy light and rigid cantilever handles a high precision Elliptical diamond developed with Adamant-Namiki, the world most famous professional Diamond manufacturer.

The diamond tip is mechanically inserted and blocked into the new cantilever that is consequently handled by a special pipe increases the structure rigidity.

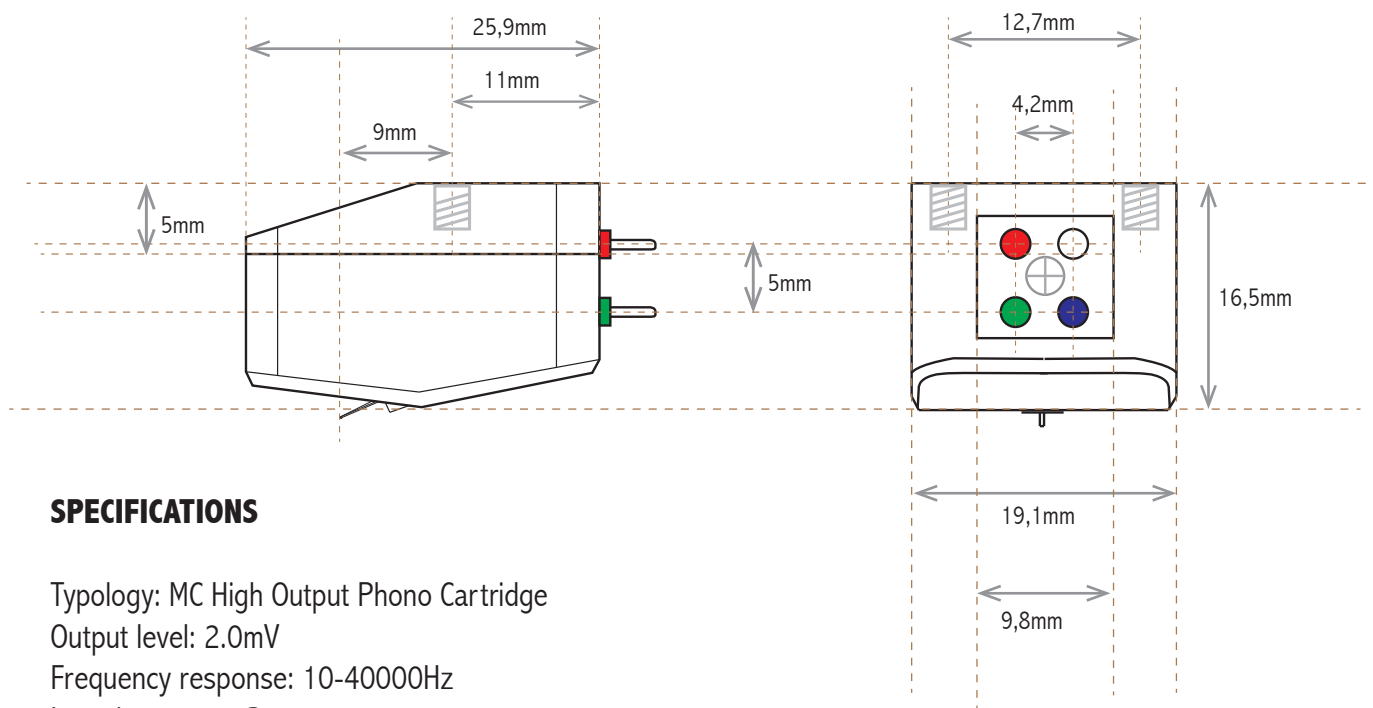
The cantilever suspension is made by elastic no deformable harmonic steel spring rigidly blocked to eliminate vibrations enhancing the tracking ability of the cartridge the best.

Besides, the increased lighted body of the cartridge, featuring only 10gram mass enables superb vibration control.

The thin and long gold plated pin connectors enable the ideal contact with arm cinches; the good contact unable energy dispersion and better grounding for a more silent music background to reach all minor details listening to the music.

Because the Machiavelli Red 130ohm high internal impedance and 2.0mV output level it can be easily matched with any active phono preamp MM and even correctly set-up MC ones, without Step-Up transformers.

Please Note: to preserve the uniqueness all Machiavelli Red cartridges have the serial number indelibly engraved in the recessed area of the top of the cartridge body.



SPECIFICATIONS

Typology: MC High Output Phono Cartridge

Output level: 2.0mV

Frequency response: 10-40000Hz

Impedance: 130Ω

Suggested load: 47KΩ

Compliance: 10×10-6cm/dyne

Channel separation: >28dB

Suggested tracking weight: 1.8 to 2.1g

Cantilever: Aluminum

Diamond: Micro Elliptical

Diamond size: 7.5×15.5μm

Coil Wire: Copper

Magnet: Samarium-Cobalt

Mounting hole diamond distance: 9mm

Physical

Total weight: 10g

GOLD NOTE
The Renaissance of Technology.

Via della Gora, 6
Montespertoli (Florence) Italy 50025
Tel. + 39 0571 675005
Fax. + 39 0571 675013
www.goldnote.it